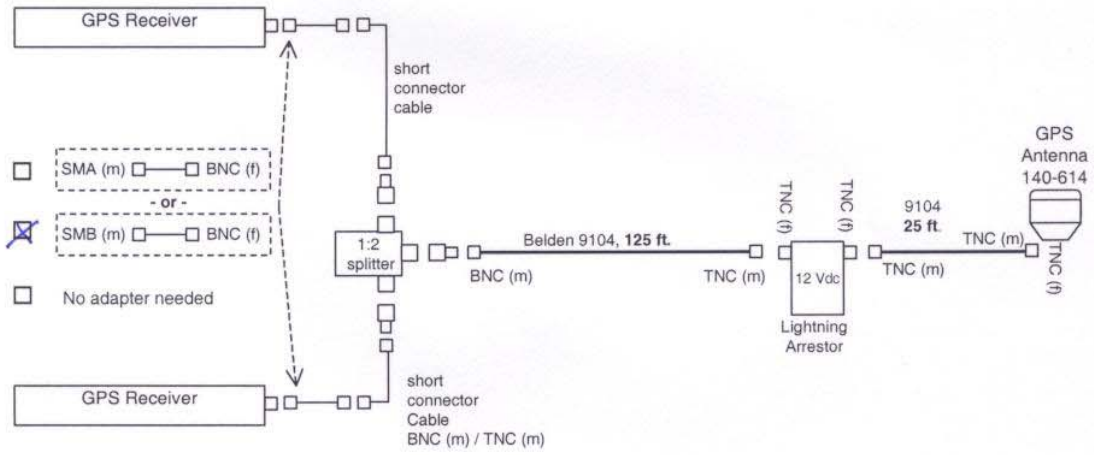


GPS Receiver Insertion Loss Test and Verification

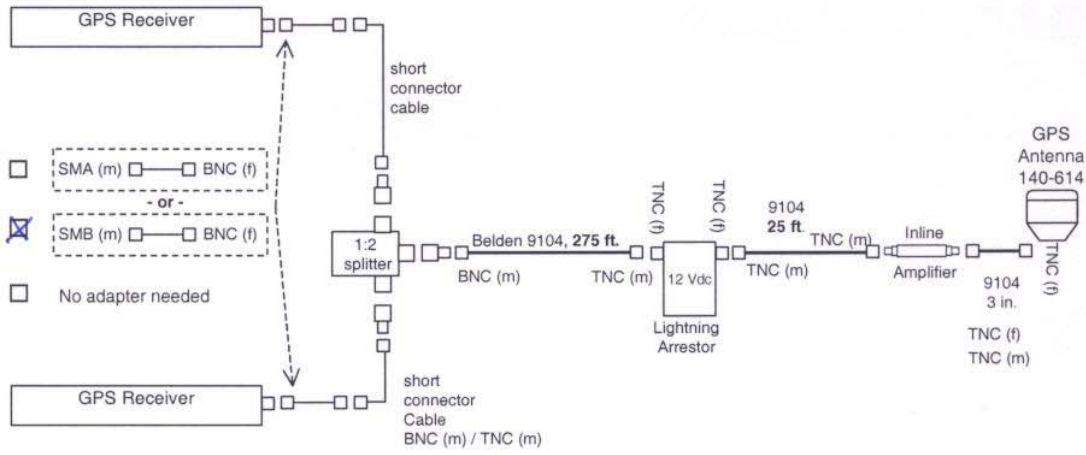
Model: bc637 PCI-L Tech.: R. Black Pass
 Part #: bc637 PCI-L Date: 4-19-05 Fail

150 Foot Insertion Loss Test – 2x GPS receivers (A&B)



Satellites Locked: A B Satellites Tracked: A B Time Accurate: A B

300 Foot Insertion Loss Test – 2x GPS receivers (A&B)



Satellites Locked: A B Satellites Tracked: A B Time Accurate: A B